

Induction|Pro

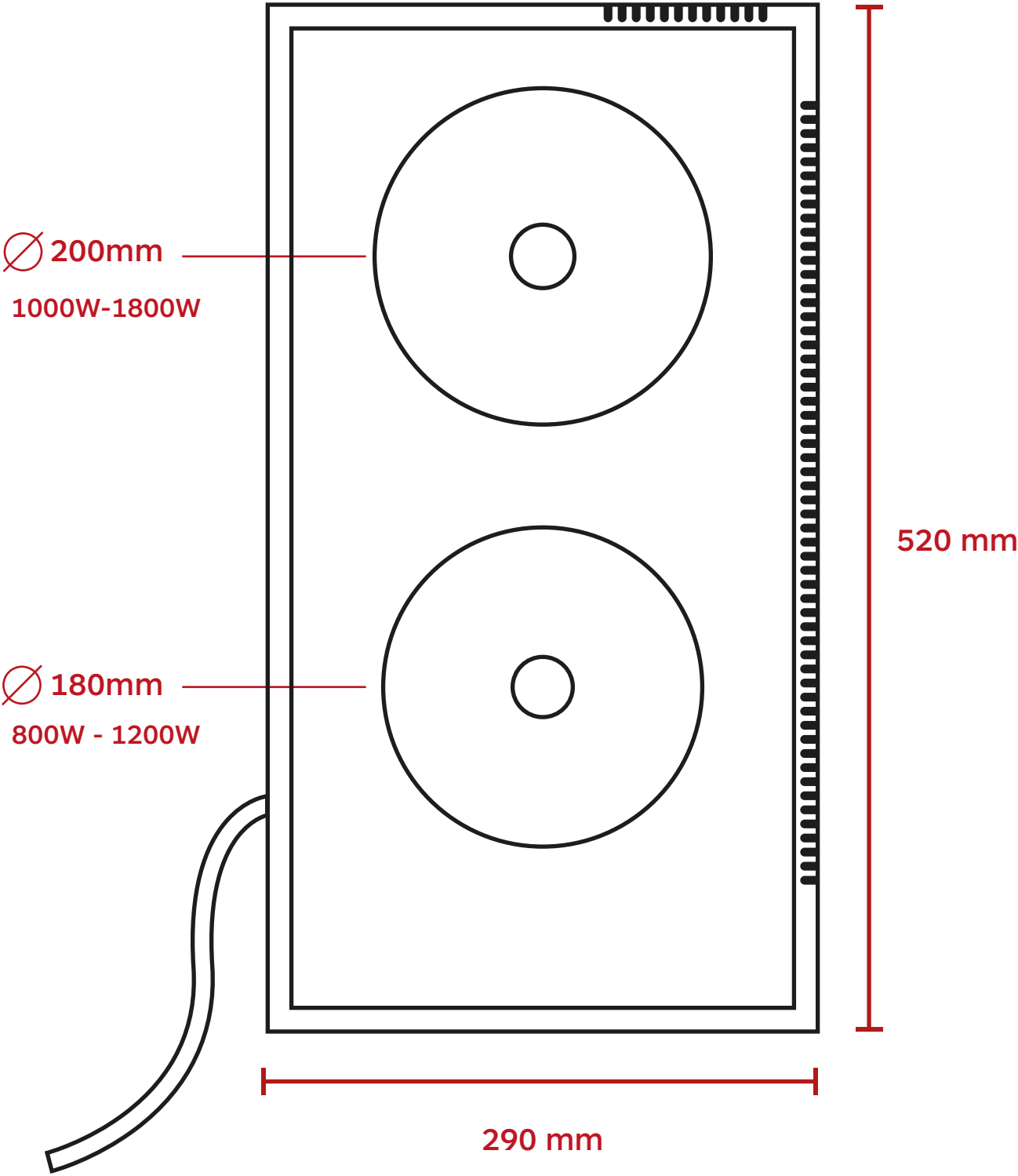
INSTALLATION MANUAL



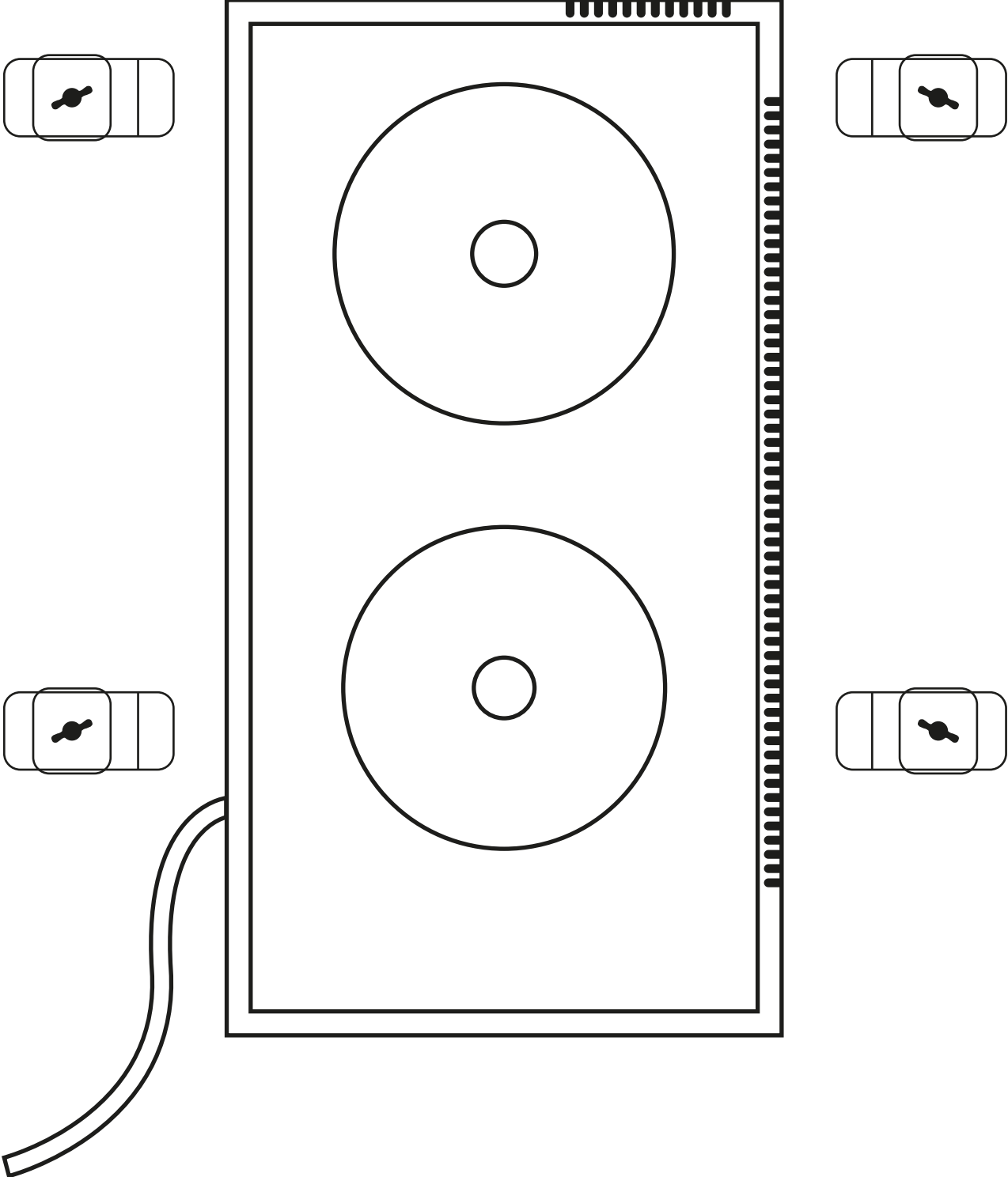
Proudly brought to you by

Pro|Quartz
PREMIER QUARTZ SURFACES

Unit Dimensions

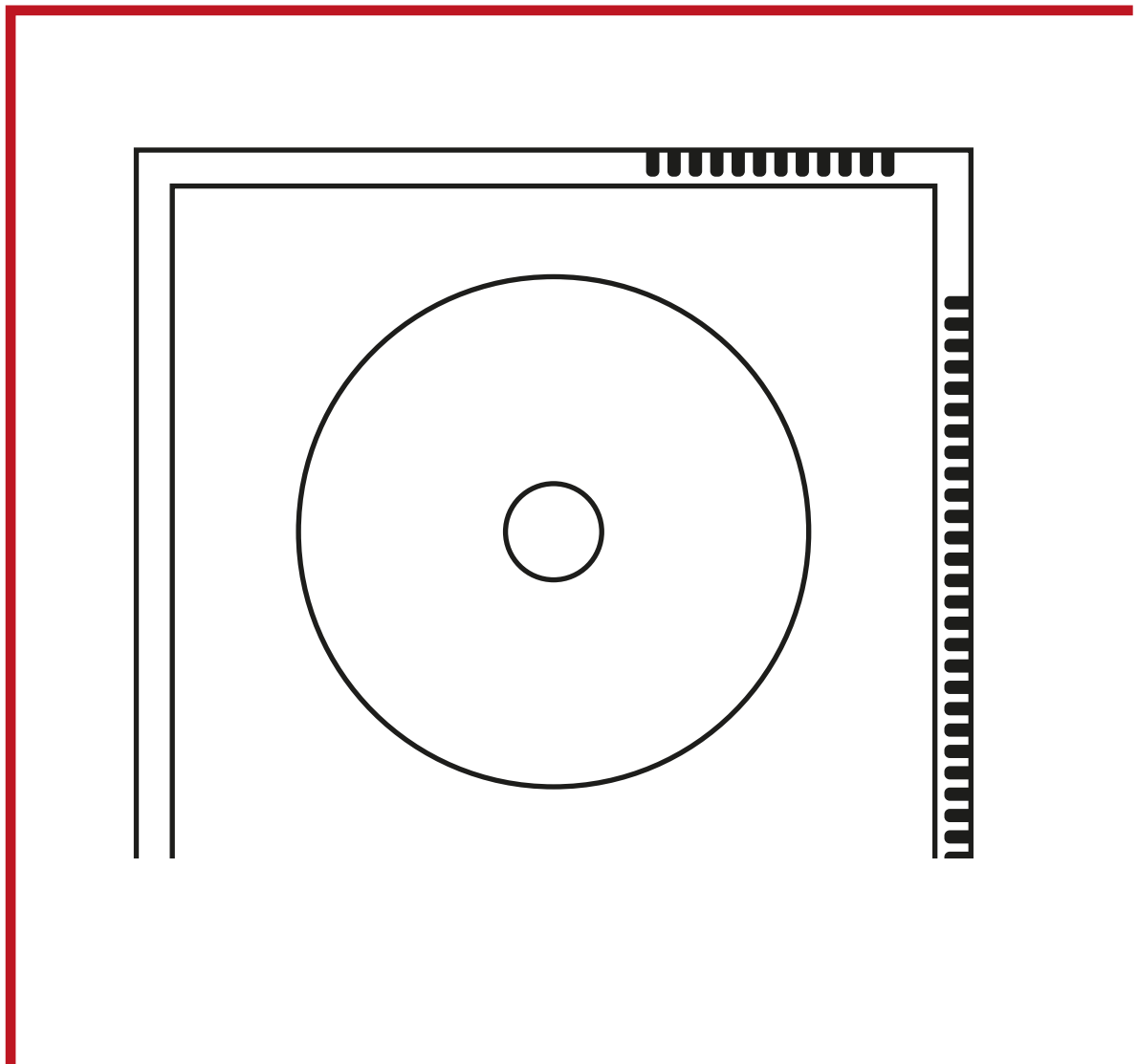


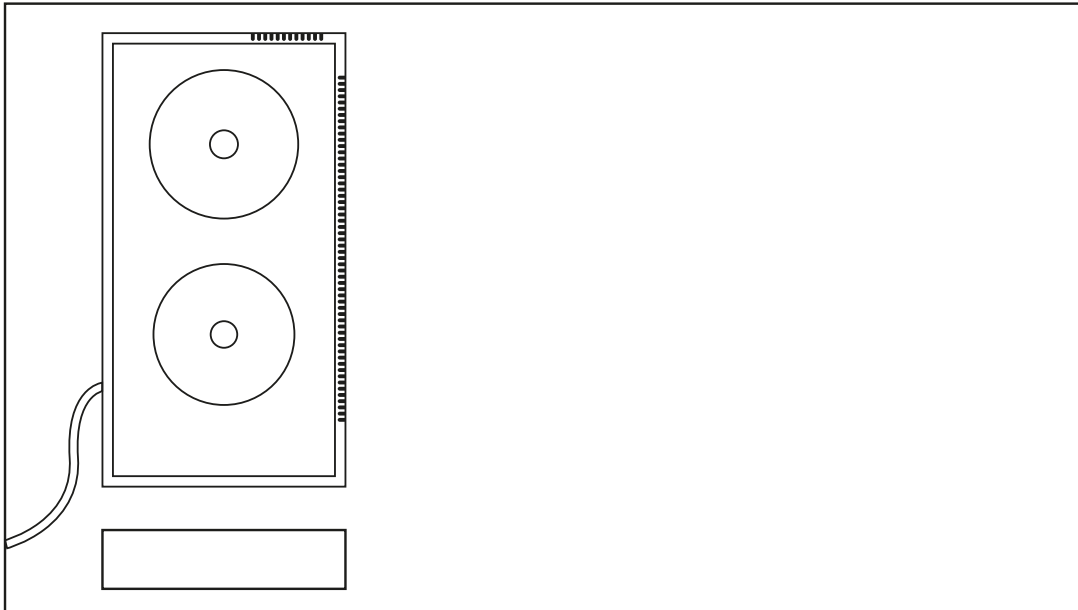
Using the sink clips



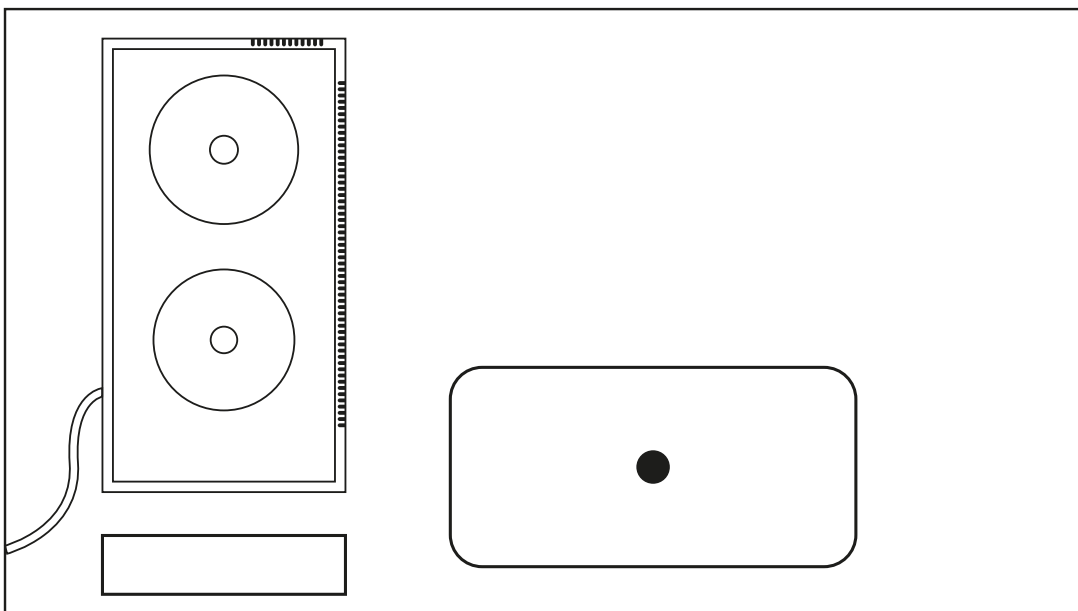
IMPORTANT TO REMEMBER

- The unit should be installed at least 50mm away from edges
- Be sure that any pots used are Induction friendly OR a silicone cooking mat must be used.





- When installing the control panel as a drop-in, be sure to leave at least 60mm between the frame of the InductionPro. This applies to any additional cut-outs around the cooker.



- Ensure a space of at least 200mm between the unit and a sink.

Installing with sink clips

- When installing the control panel as a drop-in, be sure to leave at least 60mm between the frame of the InductionPro. This applies to any additional cut-outs around the cooker.



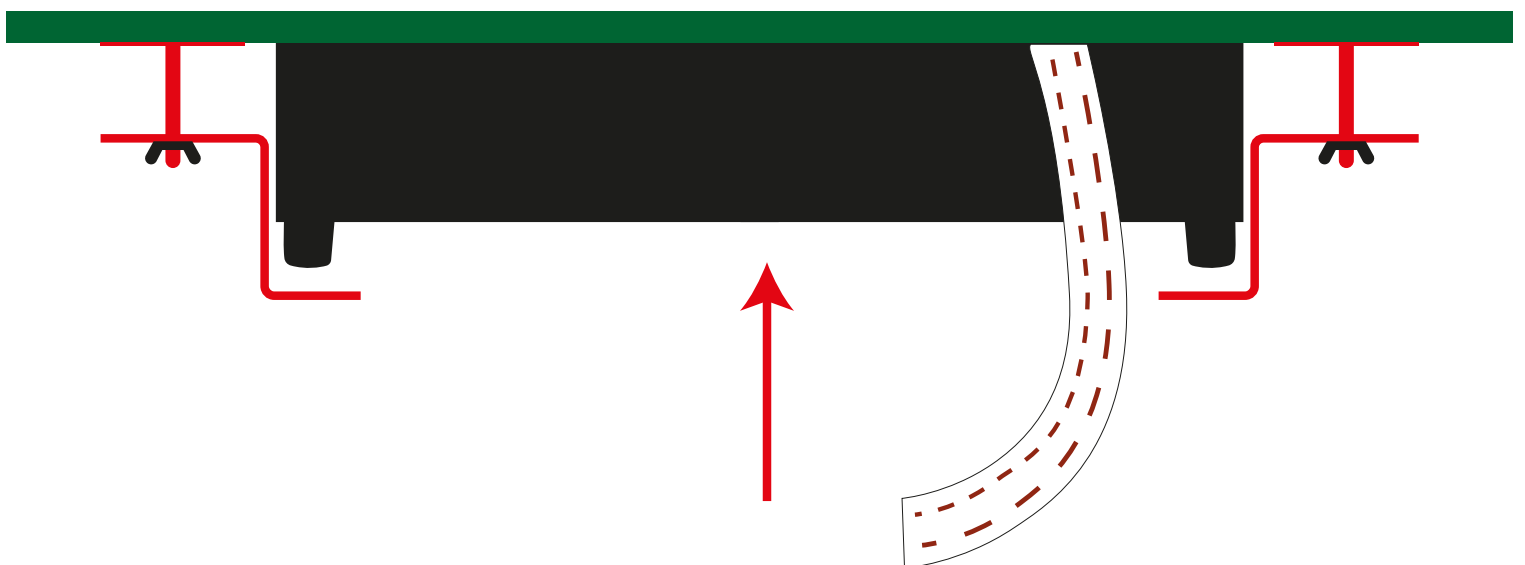
- Remove the installation template and clips from the box and position the sink clip screws into the 4 holes



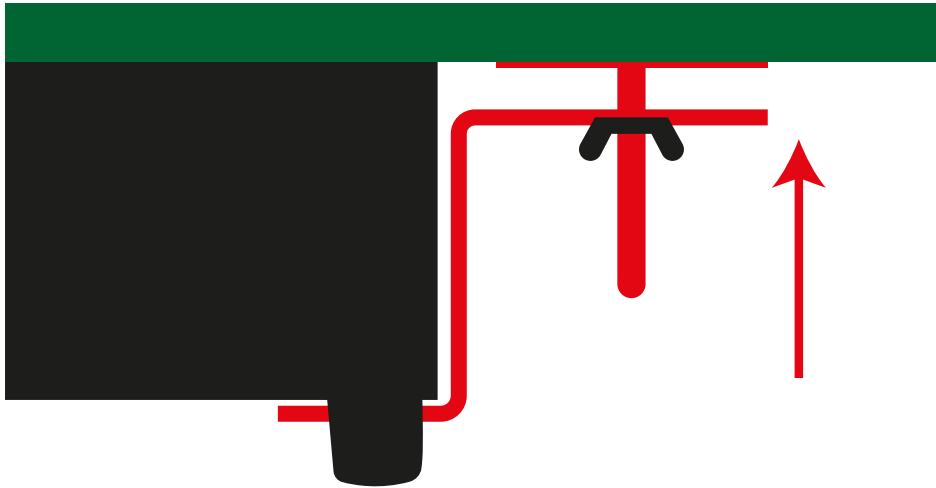
- Apply the *adhesive* onto the 4 screws - as per below and place the template under your SapienStone - where you want to have your cooker installed. The adhesive should be firmly pressed onto the surface at all 4 points



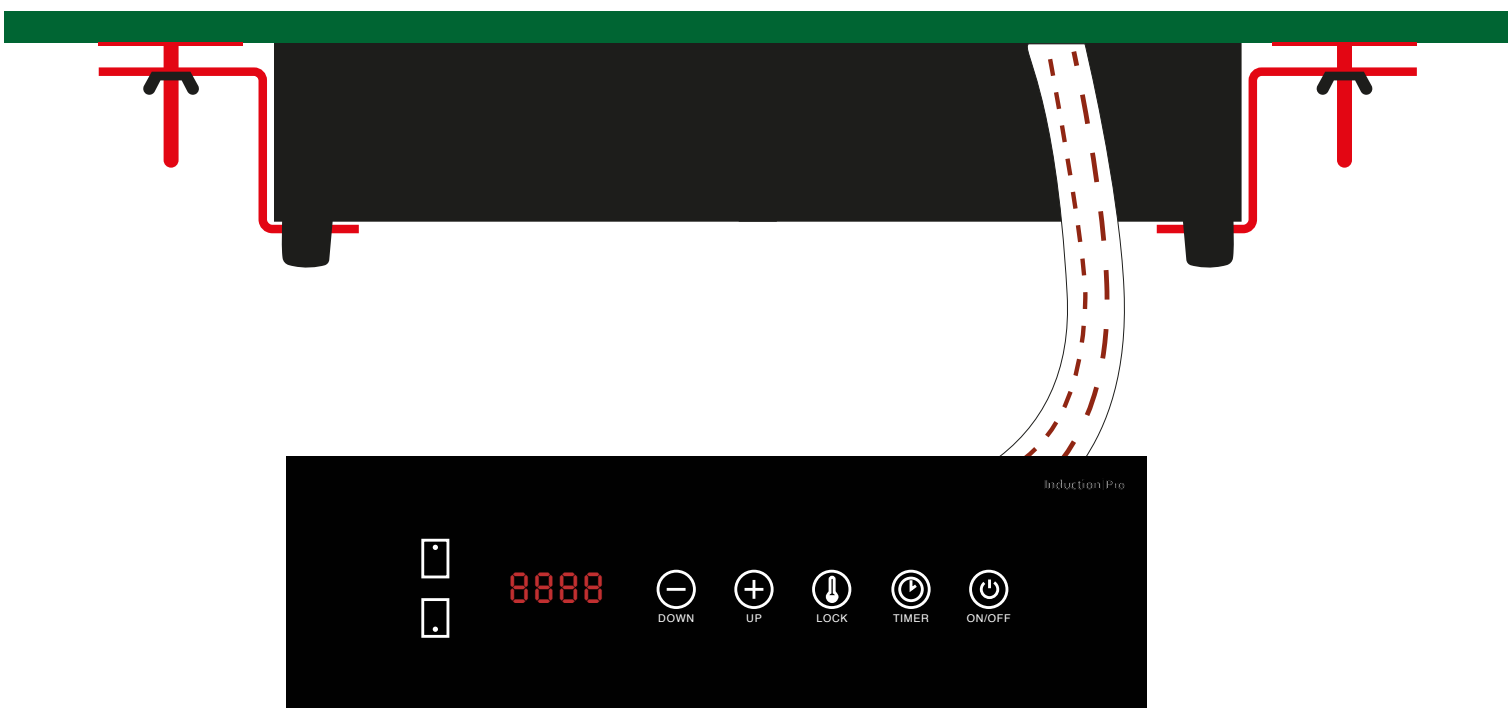
- Once the screws are attached to the underside of the surface, discard the template
- Slide the clips onto all four points and use butterfly bolt to hold them in place- do not tighten yet.
- Place the cooker in position - remember to leave the wires for the control panel on the outside as you will need these to connect the panel to your cooker.



- Position the clips so that they hook onto the rim of the cooker and tighten all 4 bolts until the cooker is securely pressed against the underside of the surface.



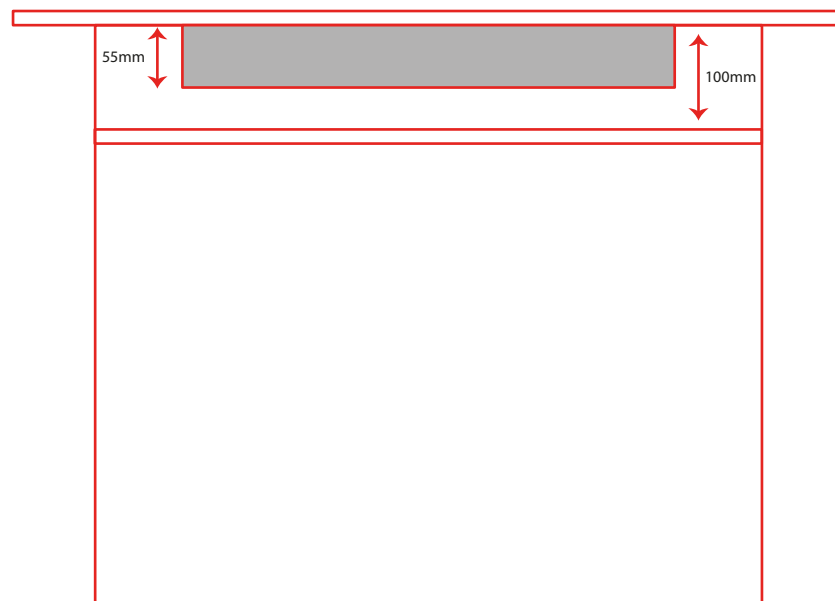
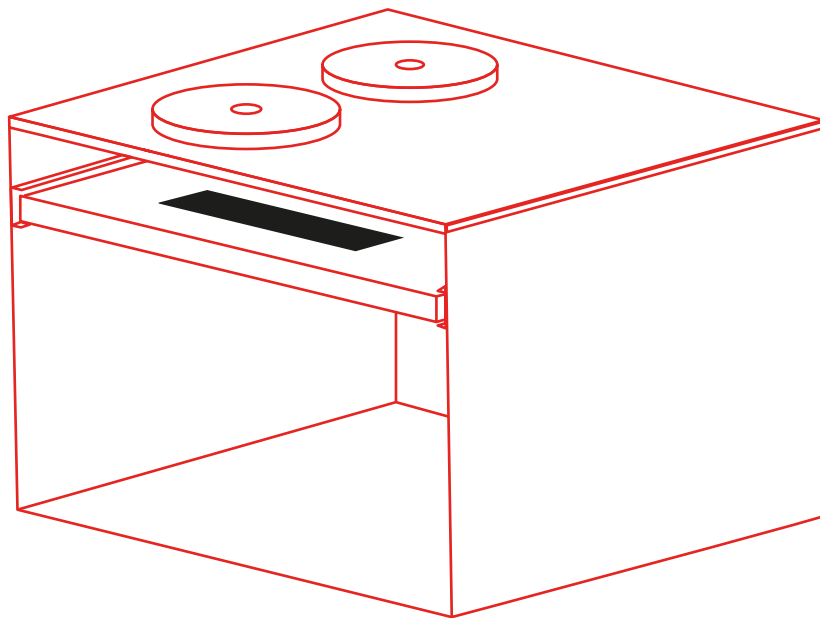
- Connect the panel and place it in the desired position (see next page).



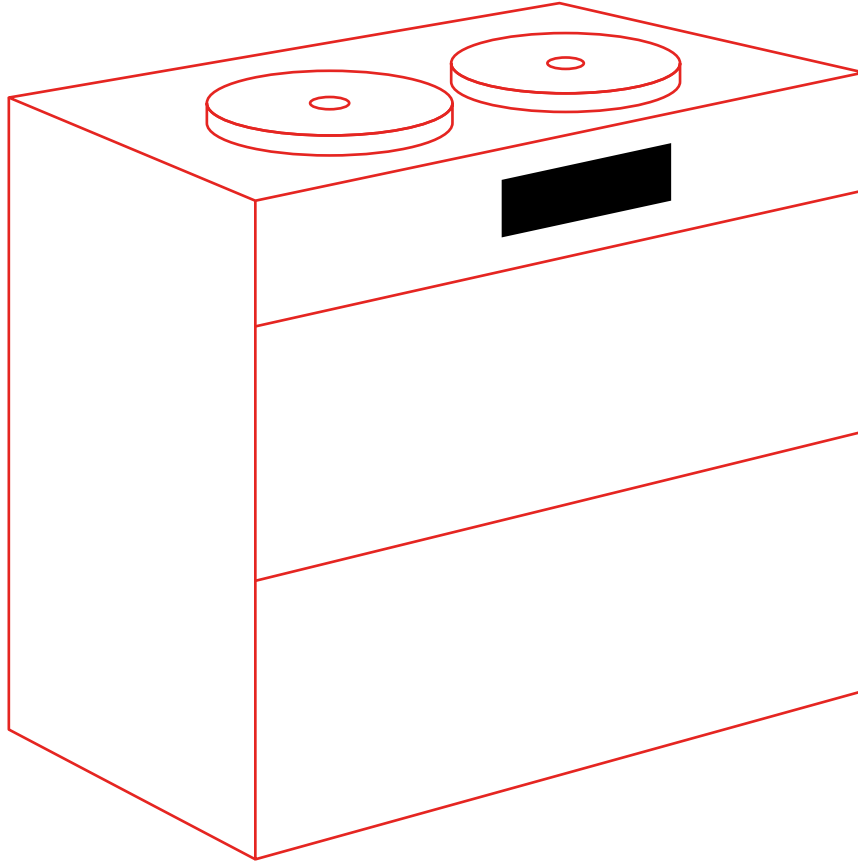
Control Panel Placement



Drawer-drop in



Front of counter insert



Top of counter insert

